

# 653 | ACCU-MASTER SPIN & RELIEF REEL GRINDER



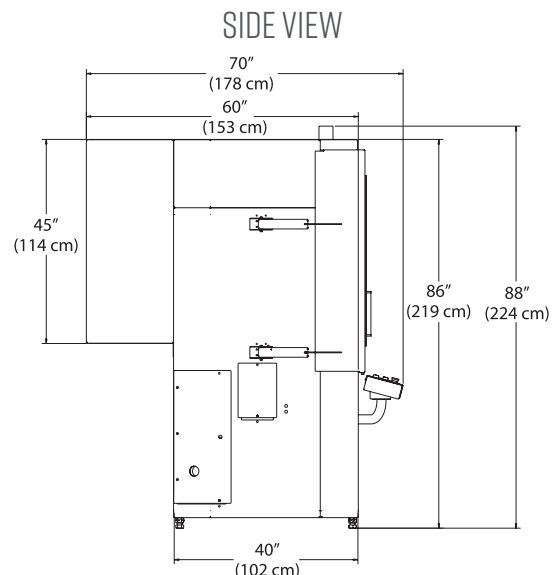
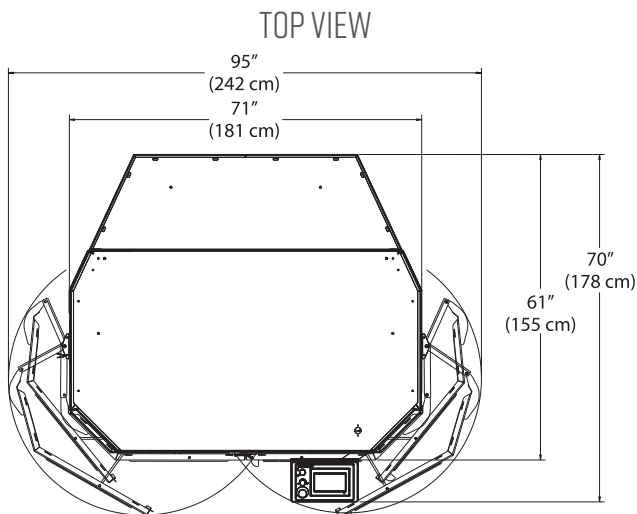
## FEATURES

Spin Grind capable	✓
Auto Indexing hands free Relief Grinding	✓
- Electronically control Torque for relief	✓
Quick Reel placement - ACCU-Reel selector	✓
Cone/Taper Removal - Easy Alignment of Reel to Grinder	Screen Feedback (bubble)
Variable Speed Spin Drive motor	Articulating counter balanced
Variable Speed Belt Drive Traverse System	✓
Three Drive Adapters (male - 8, 9 and 11 tooth spline)	✓
Rear door with Safety interlock	Optional (or enclosed back)
Front Safety door with Safety interlock	✓
Quick Change Grinding wheel	✓
ACCU-Touch 3 with standard and custom programs (End of cycle indicator light)	✓
Noise and Dust abatement	✓
Dust collection - Vacuum system	✓
Slotted top Canopy (653 only) for Shop Overhead Crane	Optional
Attached rear lift table	Optional
Overhead Boom	Optional - electric with trolley

## ADVANTAGES & BENEFITS

- ▶ AUTOMATED INFEED CYCLES FOR SPIN AND AUTO-INDEX RELIEF GRINDING
- ▶ COMPLETELY ENCLOSED ELECTRIC INTER-LOCKING DOORS WITH LEXAN SAFETY GLASS PROTECTION
- ▶ VERTICAL/HORIZONTAL ADJUSTERS ENSURES PRECISE CARRIAGE POSITION AND TAPER REMOVAL
- ▶ INTERNAL VACUUM SYSTEM EFFICIENTLY COLLECTS DUST TO HELP KEEP SHOP AREA CLEAN

## DIMENSIONS:



©2020 FOLEY COMPANY. ALL RIGHTS RESERVED. PN3730170 - LU02252020

# 653 | ACCU-MASTER SPIN & RELIEF REEL GRINDER



**ACCU-TOUCH 3 CONTROL**



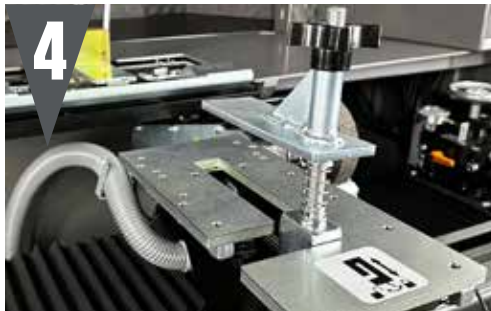
**ACCU-REEL SELECTOR**



**CYLINDER HEIGHT STOP**



**FRONT ROLLER CLAMP**



**COUNTER-BALANCED SPIN DRIVE**



**ACCU-POSITIONING GAUGE**



**ROBUST GRINDING HEAD & RELIEF ASSEMBLY**



**OPTIONAL ELECTRIC HOIST**



## DUST + NOISE CONTROL



**REAR DOORS WITH MOUNTED REAR LIFT**

**AUTOMATED INFEEED GRIND CYCLES**  
FOR BOTH THE SPIN AND RELIEF GRIND PROCESS.

**SPIN GRIND IN MINUTES**  
LET THE ACCU-TOUCH 3 DO THE WORK WHILE YOU DO SOMETHING ELSE

**AUTO INDEX RELIEF**  
AUTOMATION OF INFEEEDS AND THE PATENTED AUTO-INDEX PROVIDES PRODUCTIVITY AND CHOICE

**EASY REEL PLACEMENT**  
TO AUTOMATICALLY LOCATE THE REEL FOR A FAST AND EASY SPIN OR SPIN + RELIEF GRIND