

633 | ACCU-PRO AC/SC SPIN /RELIEF REEL GRINDER

FOLEY COMPANY



FEATURES

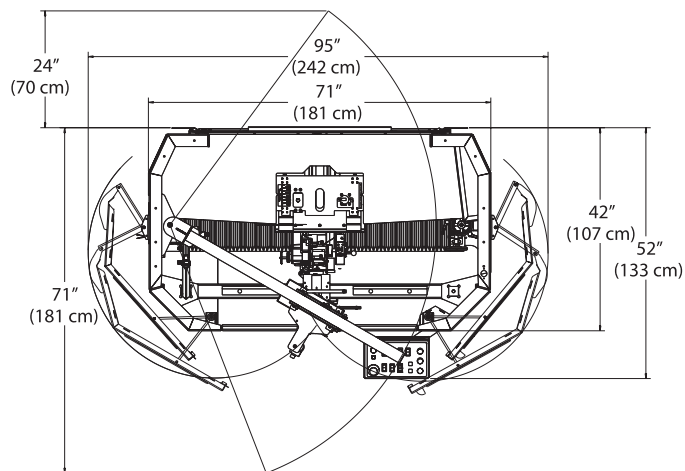
Spin Grind capable	✓
Auto Indexing hands free Relief Grinding	✓
- Electronically control Torque for relief	✓
Quick Reel placement - ACCU-Reel selector	✓
Cone/Taper Removal - Easy Alignment of Reel to Grinder	LED- Feedback (manual) Screen feedback (Optional AT3 package)
Variable Speed Spin Drive motor	Articulating counter balanced
Variable Speed Belt Drive Traverse System	✓
3 pack of Drive Adapters (male - 8, 9 and 11 tooth spline)	✓
Rear door with Safety interlock	✓
Front Safety door with Safety interlock	✓
Quick Change Grinding wheel	✓
ACCU-Touch 3 (AT3) with standard and custom programs - With end of cycle indicator light.	Optional
Noise and Dust abatement	X
Dust collection - Vacuum system	Optional
Slotted top Canopy (653 only) for Shop overhead Crane	X
Attached rear lift table	Optional
Overhead Boom	Optional - electric with trolley

ADVANTAGES & BENEFITS

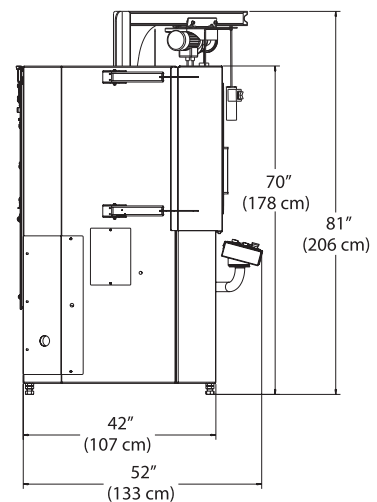
- ▶ AUTOMATED INFEEED CYCLES FOR SPIN AND AUTO-INDEX RELIEF GRINDING
- ▶ PATENTED HANDS-FREE AUTO-INDEX RELIEF GRIND
- ▶ ELECTRIC INTER-LOCKING DOORS AND LEXAN SAFETY GLASS PROTECTION
- ▶ VARIABLE SPIN SPEED, TRAVERSE SPEED AND RELIEF TORQUE FOR COMPLETE VERSATILITY
- ▶ VERTICAL/HORIZONTAL ADJUSTER ENSURES PRECISE CARRIAGE POSITION AND TAPER REMOVAL

▶ DIMENSIONS:

TOP VIEW



SIDE VIEW



MADE IN THE USA

©2020 FOLEY COMPANY. ALL RIGHTS RESERVED. PN3730169 - LU01072020

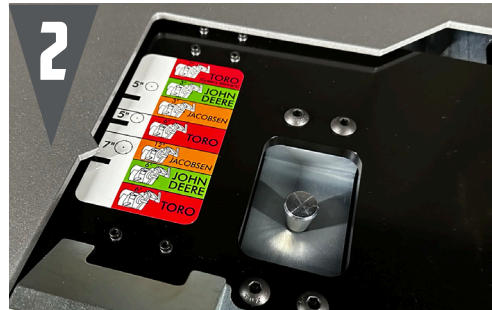
633 | ACCU-PRO AC/SC SPIN /RELIEF REEL GRINDER



SC/AC CONTROLLER



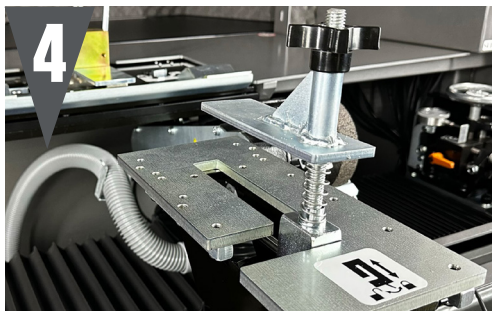
ACCU-REEL SELECTOR



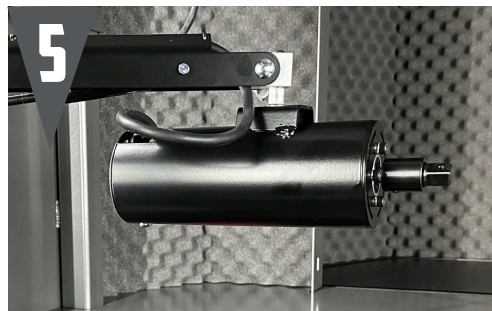
ELECTRONIC POSITIONING DISPLAY



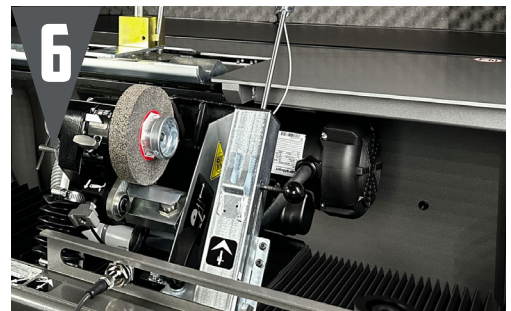
FRONT ROLLER CLAMP



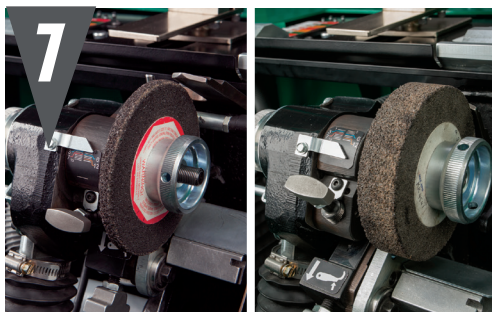
COUNTER-BALANCED SPIN DRIVE



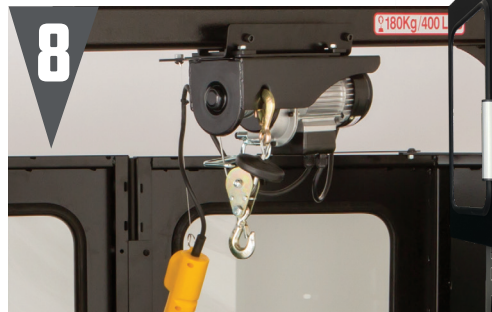
ACCU-POSITIONING GAUGE



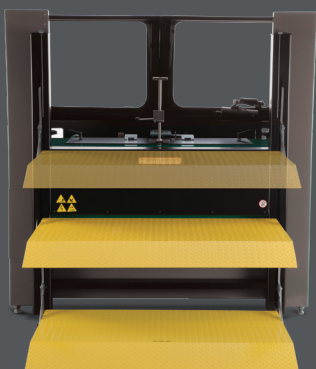
PATENTED GRINDING HEAD & RELIEF ASSEMBLY



OPTIONAL ELECTRIC HOIST



SIMPLICITY + QUALITY AT ITS BEST



OPTIONAL EQUIPMENT
REAR LIFT TABLE

AUTOMATED INFEEED GRIND CYCLES
FOR BOTH THE SPIN AND RELIEF GRIND PROCESS. (633AC)

SPIN GRIND IN MINUTES
LET THE ACCU-TOUCH 3 DO THE WORK WHILE YOU DO SOMETHING ELSE. (633AC)

AUTO INDEX RELIEF
AUTOMATION OF INFEEEDS AND THE PATENTED AUTO-INDEX PROVIDES PRODUCTIVITY AND CHOICE.

EASY REEL PLACEMENT
TO AUTOMATICALLY LOCATE THE REEL FOR A FAST AND EASY SPIN OR SPIN + RELIEF GRIND.

EASY TO USE CONTROLS
THE 633 SC USES A PRECISION PUSH-BUTTON TO INFEEED THE GRINDING HEAD WHILE IT AUTOMATICALLY TRAVERSES. THE 633 AC AUTOMATES THE PROCESS TO AUTOMATICALLY IN-FEED THE GRINDING HEAD AND STOP THE GRINDING PROCESS WHEN COMPLETED.